

4

3

2

1

THIS DRAWING IS UNPUBLISHED.

RELEASED FOR PUBLICATION

-, -

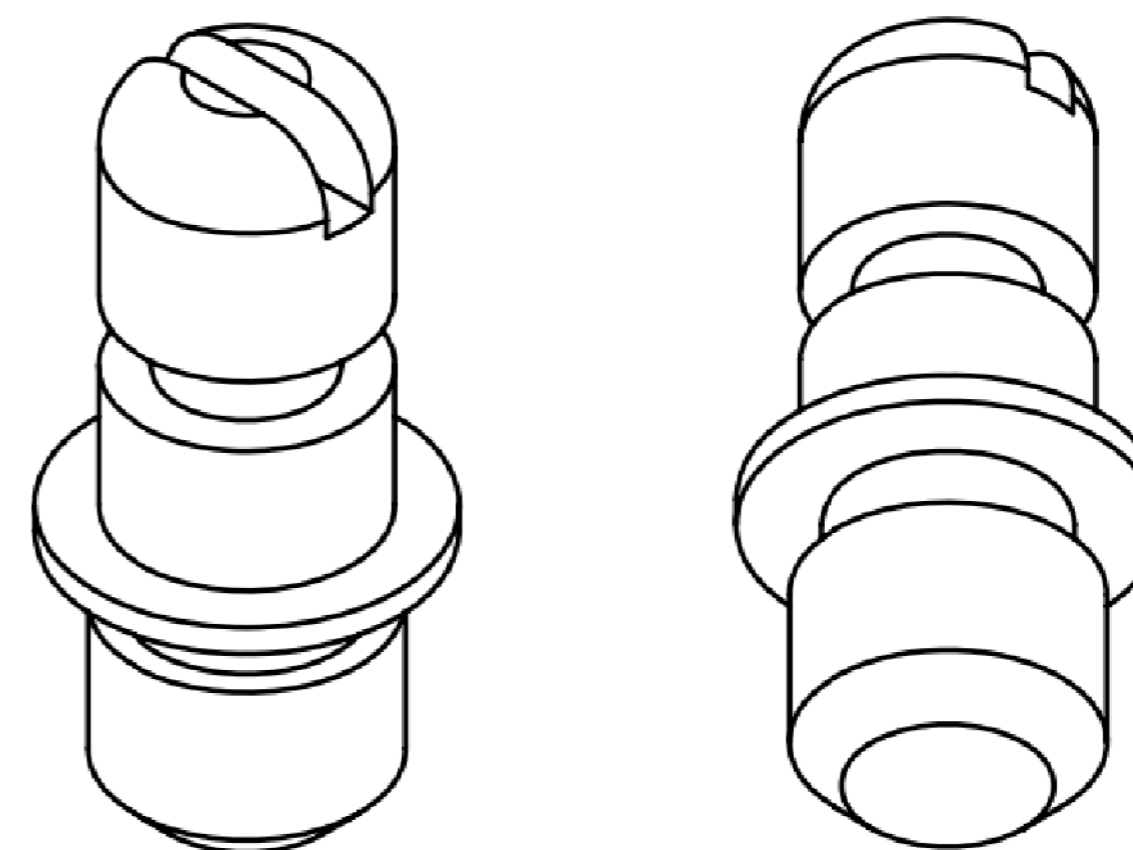
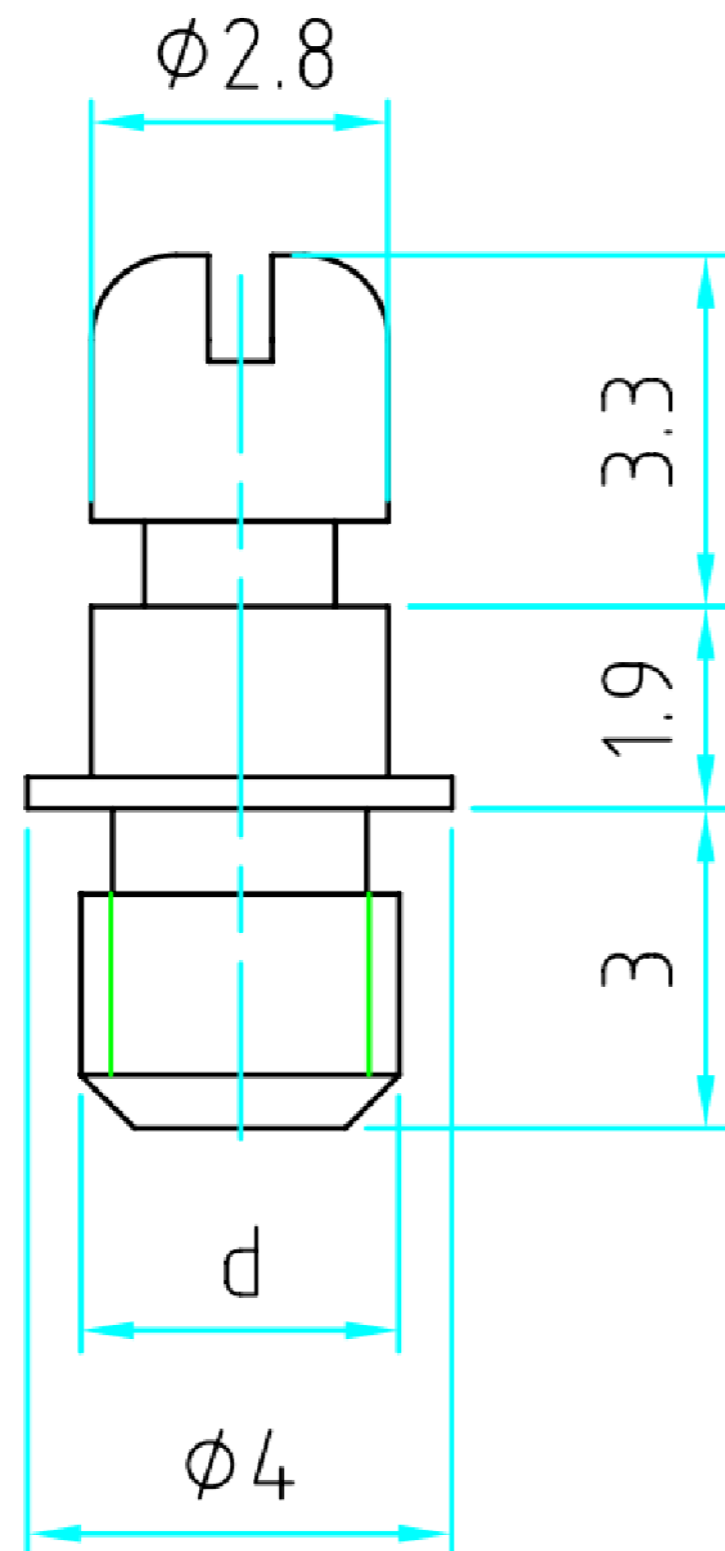
© COPYRIGHT - By -

ALL RIGHTS RESERVED.

REVISIONS

P	LTR	DESCRIPTION	DATE	DWN	APVD
	A2	REVISED PER ECR-17-006621	09MAY2017	KK	SE

PROJECT	PRJ-16-000909157
PART NO.	X-2308273-X
DESCRIPTION	QL-SET FOR VAR. A WITH STOP MOUNTING KIT FOR COMBI LOCK
CUSTOMER	GENERAL MARKET



PART-NO.	DESCRIPTION	SUB-PART NO.	DESCRIPTION	THREAD "d"	QTY
1-2308273-2	VARIANT A W/STOP MOUNTING KIT (UNC)	1-2308352-2	LATCH PIN 2 (UNC)	4-40 UNC	2
1-2308273-1	VARIANT A W/STOP MOUNTING KIT (METRIC)	3-2308352-4	LATCH PIN 24 (METRIC)	M3	2
		POS.1			

NOTES:

- WEIGHT: 0.4 g.
- FINISHING PROCESS: 4-7  $\mu$  Sn OVER 2-3  $\mu$  Cu.

THIS DRAWING IS A CONTROLLED DOCUMENT.		DWN KIRAN K 27JUL2016	 TE Connectivity NAME QL-SET FOR VAR. A WITH STOP MOUNTING KIT FOR COMBI LOCK											
DIMENSIONS: mm		CHK GUNASEKHAR G 27JUL2016												
TOLERANCES UNLESS OTHERWISE SPECIFIED: DIN ISO 2768 m		APVD GUNASEKHAR G 27JUL2016												
<table border="1"> <tr><td>0 PLC</td><td>± -</td></tr> <tr><td>1 PLC</td><td>± -</td></tr> <tr><td>2 PLC</td><td>± -</td></tr> <tr><td>3 PLC</td><td>± -</td></tr> <tr><td>4 PLC</td><td>± -</td></tr> <tr><td>ANGLES</td><td>± -</td></tr> </table>		0 PLC				± -	1 PLC	± -	2 PLC	± -	3 PLC	± -	4 PLC	± -
0 PLC	± -													
1 PLC	± -													
2 PLC	± -													
3 PLC	± -													
4 PLC	± -													
ANGLES	± -													
MATERIAL		FINISH	APPLICATION SPEC	SIZE	CAGE CODE	DRAWING NO	RESTRICTED TO							
-		-	-	A3	00779	©=2308273	-							
CUSTOMER DRAWING			SCALE	SHEET	REV									
			NTS	1 OF 1	A2									