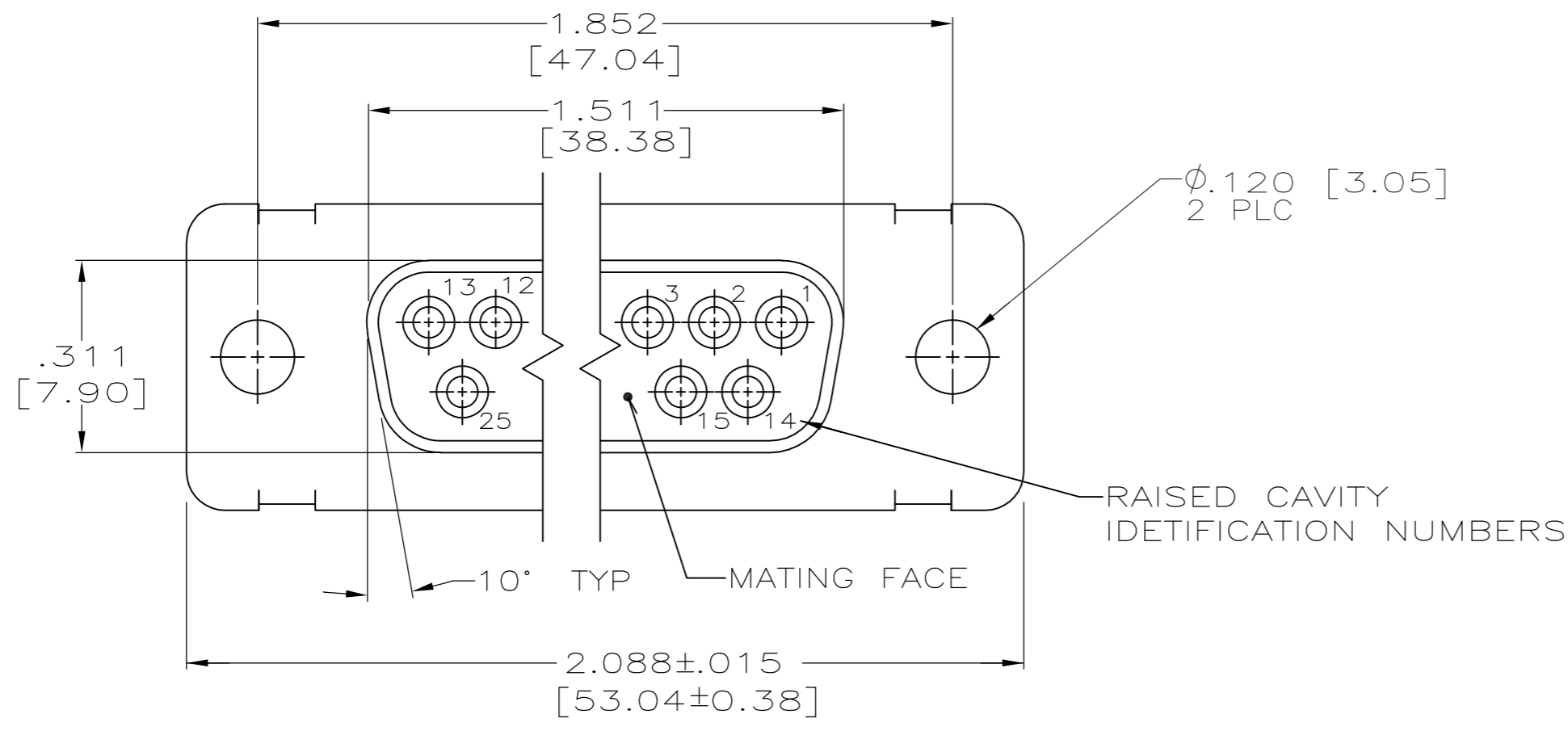
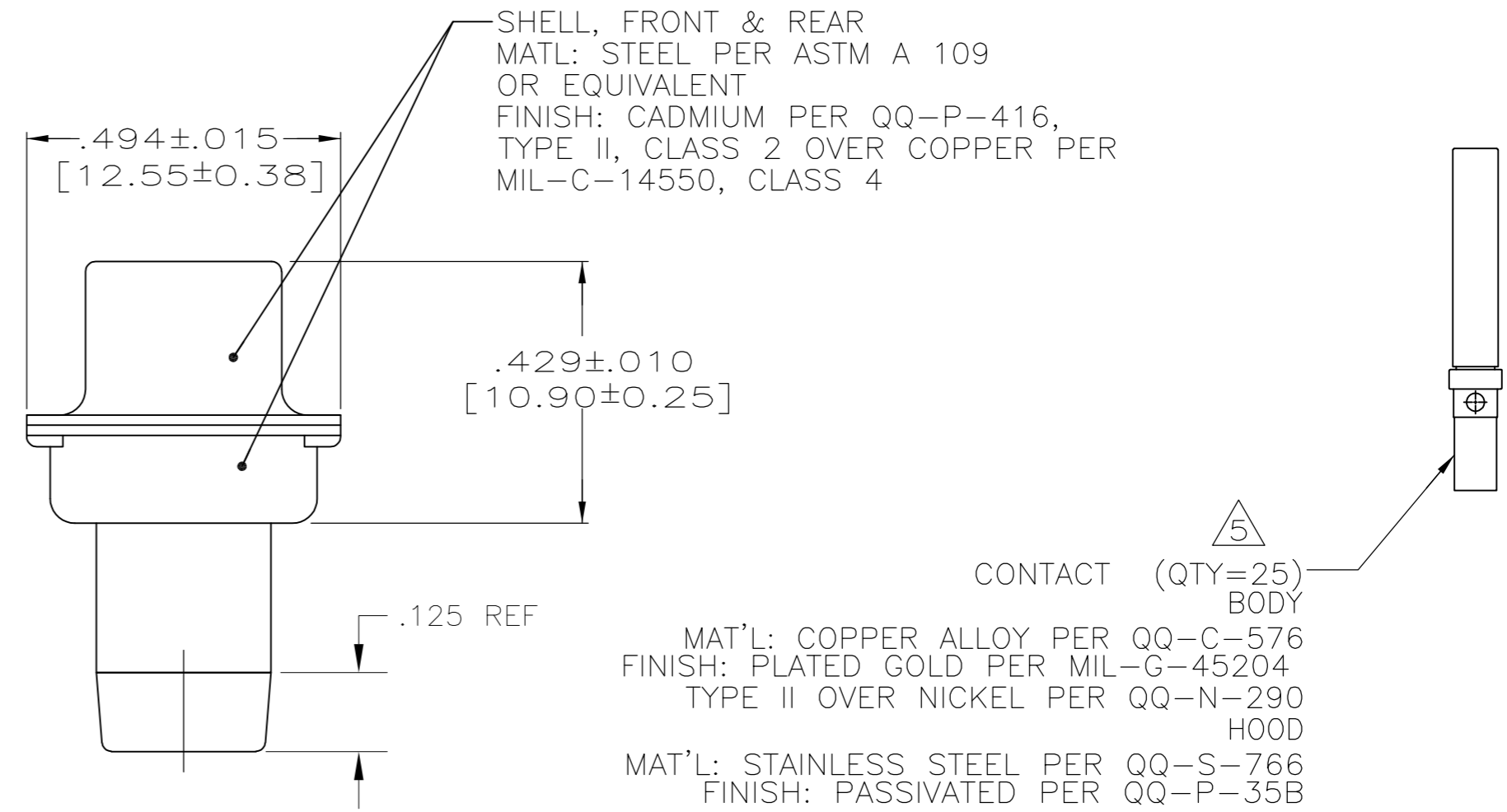
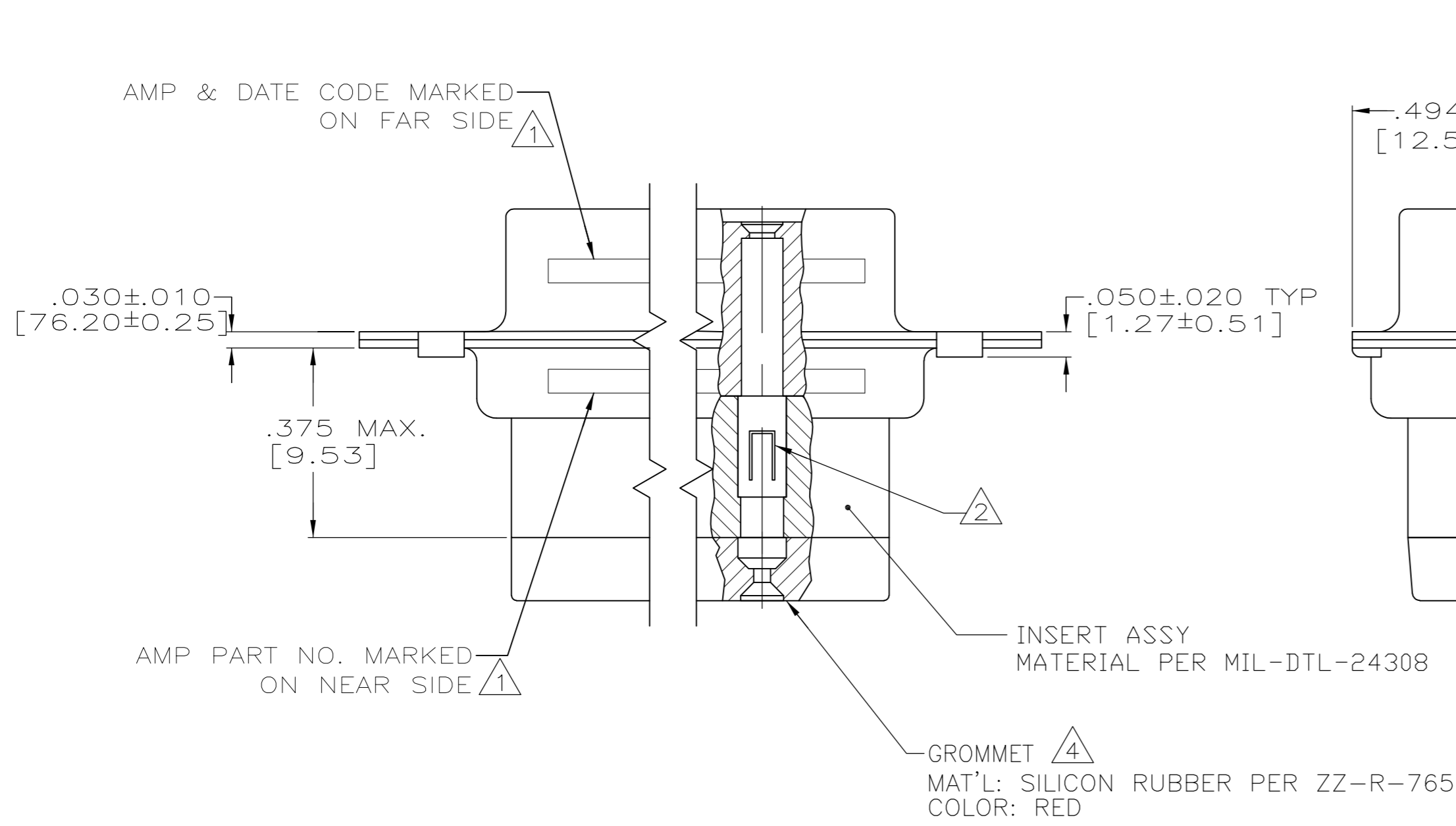


THIS DRAWING IS UNPUBLISHED. RELEASED FOR PUBLICATION
 © COPYRIGHT - By - ALL RIGHTS RESERVED.

LOC		DIST		REVISIONS			
P	LTR	DESCRIPTION	DATE	DWN	APVD		
B		REV PER ECO 15-005916	5-29-15	CT	DM		



- 1. MARKED WITH .047 [1.19] HIGH CHARACTERS. FAR SIDE REFERS TO WIDE SIDE OF KEYSTONE, NEAR SIDE REFERS TO NARROW SIDE OF KEYSTONE.
- 2. STAINLESS STEEL RETENTION CLIPS ARE INCLUDED IN INSERTS.
- 3. THIS RECEPTACLE WILL MATE WITH ANY PLUG CONNECTOR WITH THE SAME INSERT ARRANGEMENT.
- 4. MAXIMUM WIRE INSULATION USED WITH THIS CONNECTOR IS .054 [1.37] DIAMETER WITH GROMMET.
- 5. CONTACTS ARE PACKAGED SEPARATELY AND SHIPPED WITH CONNECTOR.



1218533-1
PART NO.

THIS DRAWING IS A CONTROLLED DOCUMENT.		DWN	C.C.THOMAS	9/21/99		TE Connectivity																				
DIMENSIONS: INCHES		CHK	CHAD BAKER	9/21/99		NAME																				
TOLERANCES UNLESS OTHERWISE SPECIFIED:		APVD	CHAD BAKER	9/21/99		RECEPTACLE ASSY,HDM-20, SIZE 3,AMPLIMITE																				
<table border="1"> <tr><td>0 PLC</td><td>±</td><td>-</td></tr> <tr><td>1 PLC</td><td>±</td><td>-</td></tr> <tr><td>2 PLC</td><td>±</td><td>-</td></tr> <tr><td>3 PLC</td><td>±</td><td>.005 [0.13]</td></tr> <tr><td>4 PLC</td><td>±</td><td>-</td></tr> <tr><td>ANGLES</td><td></td><td>±</td></tr> </table>		0 PLC	±	-		1 PLC	±	-	2 PLC	±	-	3 PLC	±	.005 [0.13]	4 PLC	±	-	ANGLES		±	PRODUCT SPEC	SIZE			CAGE CODE	DRAWING NO
0 PLC	±	-																								
1 PLC	±	-																								
2 PLC	±	-																								
3 PLC	±	.005 [0.13]																								
4 PLC	±	-																								
ANGLES		±																								
MATERIAL SEE CALLOUTS		FINISH	SEE CALLOUTS		WEIGHT	-	A2 00779	C=1218533	-																	
		CUSTOMER DRAWING		SCALE	4:1	SHEET	1 of 1	REV	B																	