

NOTES:

1. ELECTRICAL:

- A. IMPEDANCE: 50Ω (NOMINAL)
- B. FREQUENCY RANGE: 0-6 GHz
- C. CONTACT RESISTANCE: CENTER: 20mΩ MAX.; MEASURED AT 10mA MAX. 25 mΩ MAX AFTER CYCLING
OUTSIDE: 10mΩ MAX. 15 mΩ MAX AFTER CYCLING
- D. INSULATION RESISTANCE: 500MΩ MIN.; MEASURED AT 100 VDC.
- E. WITHSTANDIN VOLTAGE: NO LINE OR INSULATION BREAKDOWN: 200 VAC FOR 1 MIN.
- F. V.S.W.R. : 1.3 MAX. AT DC TO 3GHz, 1.4 MAX. AT 3 TO 6GHz

2. PHYSICAL:

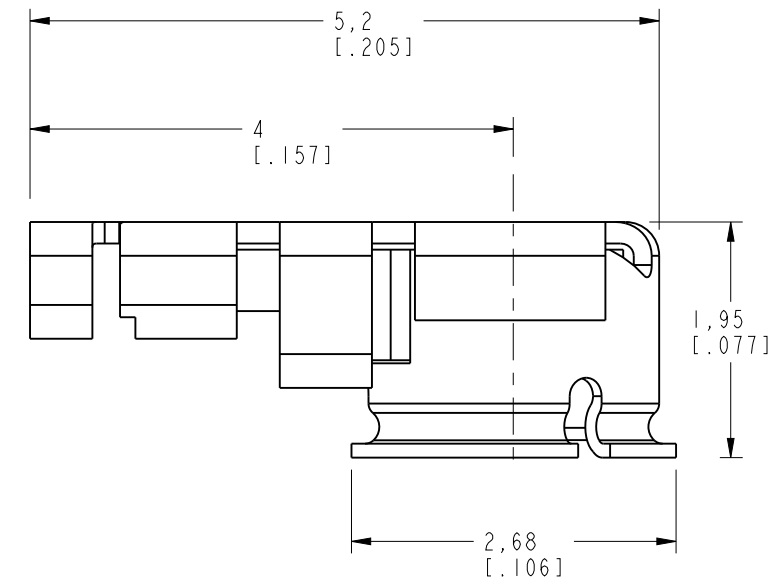
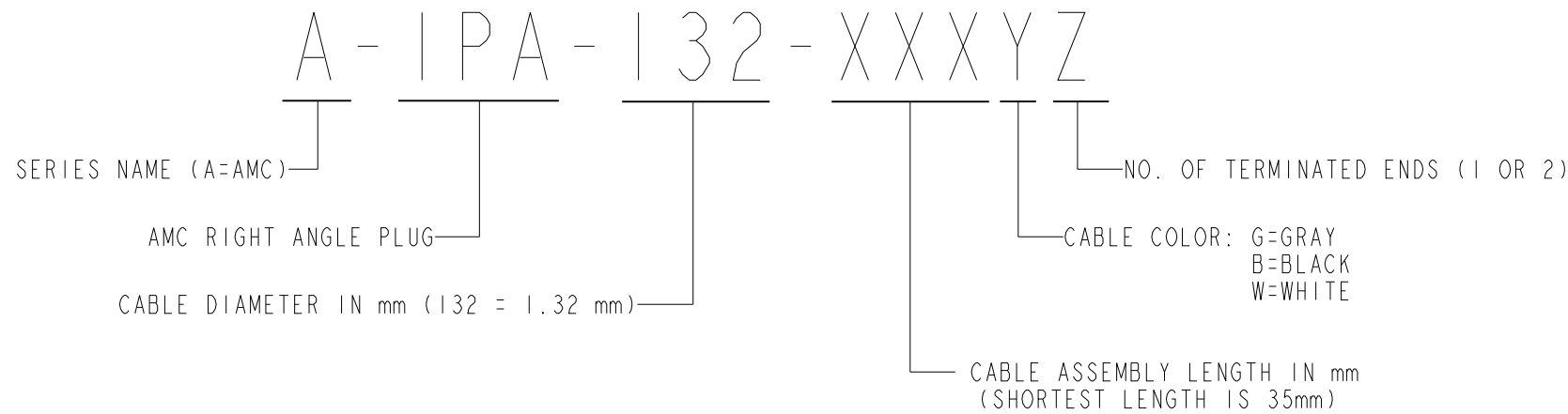
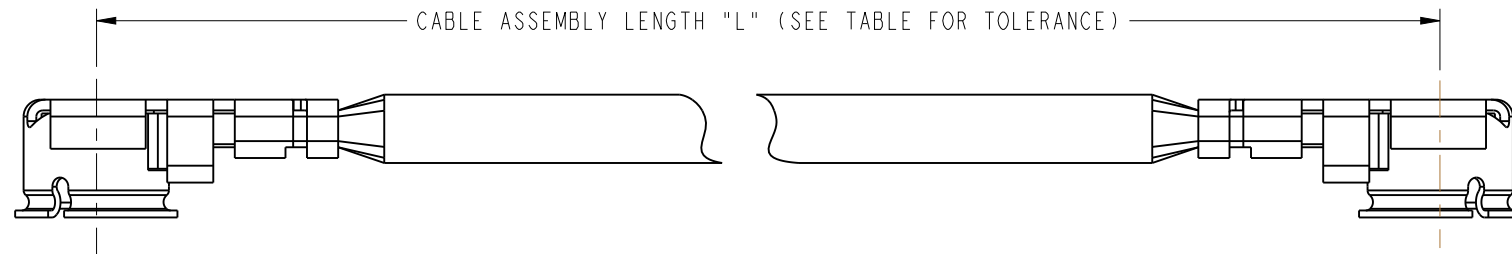
- A. FEMALE CONTACT HOLDING FORCE: .15N MIN. : MEASURED WITH A Ø.475MM PIN GAUGE.
- B. DURABILITY: 30 CYCLES
- C. TEMPERATURE RANGE: -40°C TO +90°C.
- D. AMC CONNECTOR MATING FORCE: 15N TYPICAL
- E. AMC CONNECTOR DEMATING FORCE: 10N TYPICAL
- F. AMC INTERFACE IS FULLY COMPATIBLE WITH "U.FL" SERIES PRODUCT.

3. MATERIALS AND FINISHES:

CONNECTOR BODY: PHOSPHOR BRONZE, SILVER PLATED (.08u MIN.) OVER COPPER (1-2u)
 CONNECTOR CENTER CONTACT: PHOSPHOR BRONZE, GOLD PLATED (0.2u MIN.) OVER NICKEL (2-3u)
 CONNECTOR INSULATOR: PBT
 CABLE JACKET: FEP
 CABLE DIELECTRIC: FEP
 CABLE CENTER CONDUCTOR: 32AWG ANNEALED COPPER WIRE STRANDED, SILVER PLATED
 CABLE OUTER CONDUCTOR: ANNEALED COPPER WIRE BRAID, SILVER PLATED

A-IPA-132-XXXXYZ		REVISIONS			
DRAWING NO.	REV	DESCRIPTION	DATE	ECO	APPR
THIRD ANGLE PROJ.	A	RELEASE TO MFG.	2/23/05	45410	CPM
	B	REMOVED BUMP ON PLUG, 1.95 WAS 2.01, 4 WAS 3.99, 5.2 WAS 5.19, MΩ WAS mΩ	3/3/14	49763	EW

CABLE ASSEMBLY OVERALL LENGTH TOLERANCE	
OVERALL LENGTH L (mm)	STANDARD TOLERANCE (mm)
35<L<200	± 4
200 < L 500	± 8
500 < L 1000	± 12
1000 < L	±1.5 %



AMC RIGHT ANGLE PLUG

UNLESS OTHERWISE SPECIFIED, DIMENSIONS ARE IN INCHES AND TOLERANCES ARE: 2 PLACE DECIMAL ±.015 (0,381 mm) 3 PLACE DECIMAL ±.005 (0,127 mm) ANGLES ± 1°	MATERIAL	DRAWN C. McGRATH	DATE 2/11/05	TITLE RIGHT ANGLE PLUG JUMPER		Amphenol RF Danbury, CT, USA Tainan, Taiwan Shenzhen, China www.amphenolrf.com	
	REFERENCE GEN# CASSY68	ENGINEER O. BARTHELMS	DATE 2/11/05				
NOTICE - These drawings, specifications, or other data (1) are, and remain the property of Amphenol Corp. (2) must be returned upon request; and (3) are confidential and not to be disclosed to any person other than those to whom they are given by Amphenol Corp. The furnishing of these drawings, specifications, or other data by Amphenol Corp., or to any other person to anyone for any purpose is not to be regarded by implication or otherwise in any manner licensing, granting rights or permitting such holder or any other person to manufacture, use or sell any product, process or design, patented or otherwise, that may in any way be related to or disclosed by said drawings, specifications, or other data.		APPROVED O. BARTHELMS	DATE 2/16/05	SCALE: 8.0:1	SHEET 1 OF 1		
		CAD FILE I:\AMC\A-IPA-132-XXXXYZ	CODE ID 74868	DWG SIZE B	DRAWING NO. A-IPA-132-XXXXYZ	REV B	