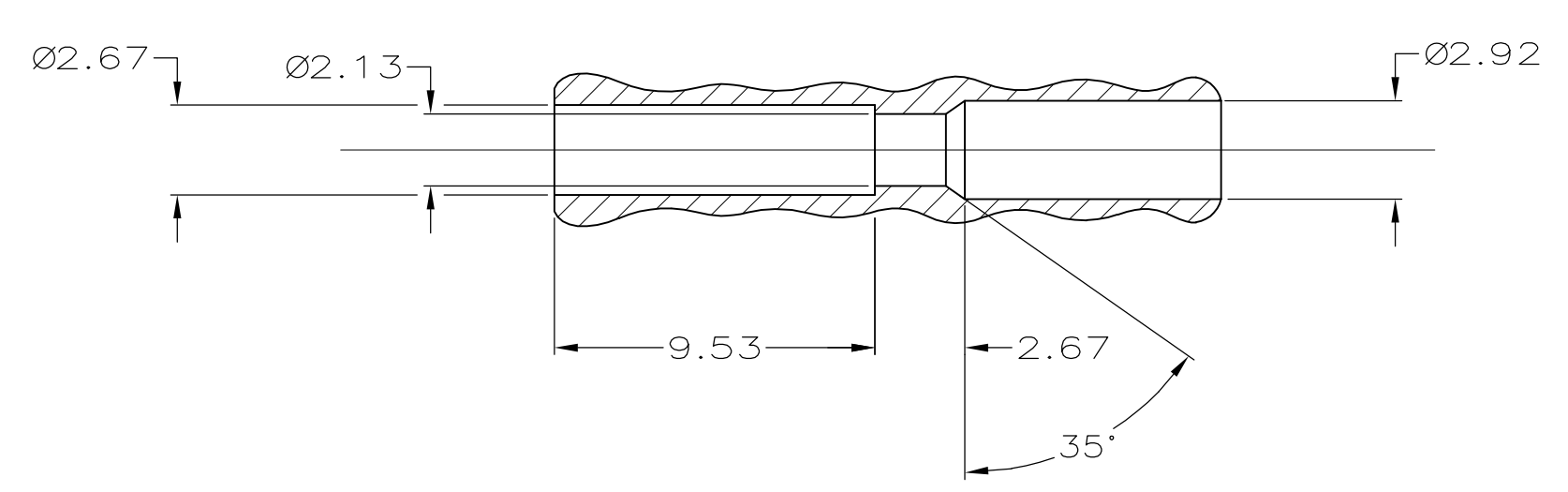
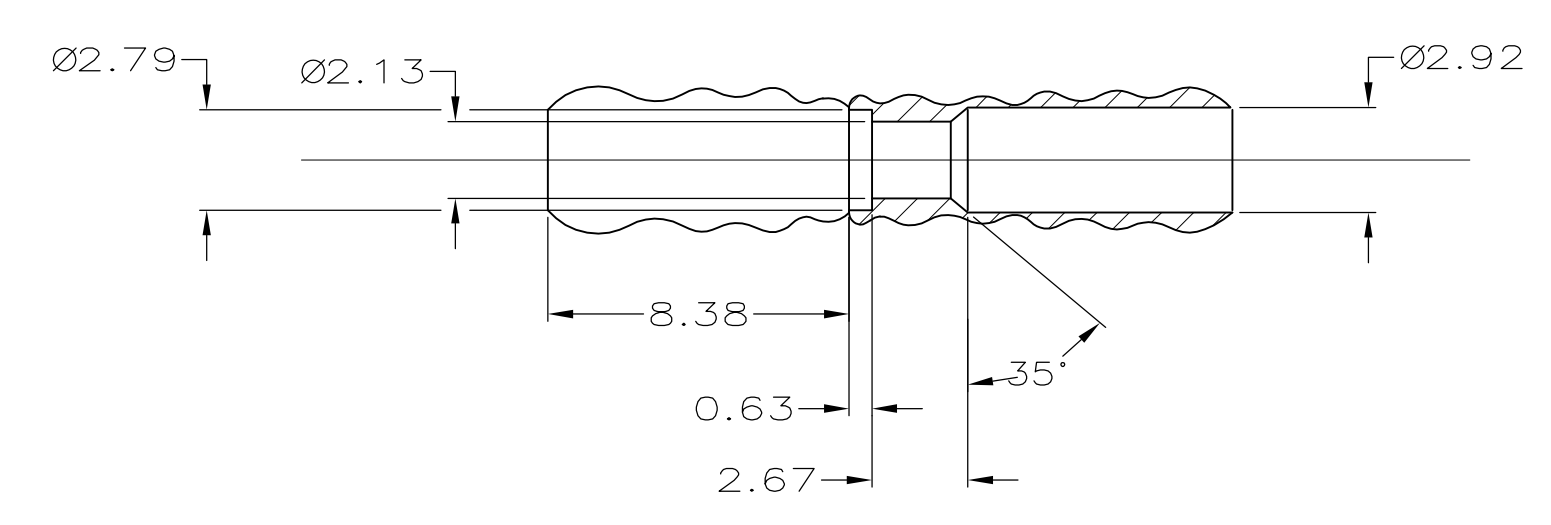


- 2. 0.0008 MIN GOLD INSIDE RECEPTACLE IN LOCALIZED PLATE AREA, OVER 0.0008 MIN NICKEL.
- 3. EITHER CAVITY WILL ACCEPT RECEPTACLE 350628,640392 OR PIN 350629,640391.
- 4. REELED ON PLASTIC REELS.

-	-
.660	16.76
.375	9.53
.330	8.38
.200	5.08
.145	3.68
.130	3.30
.115	2.92
.110	2.79
.105	2.67
.095	2.41
.090	2.29
.085	2.16
.084	2.13
.082	2.08
.081	2.06
.079	2.01
.075	1.91
.050	1.27
.040	1.02
.025	0.63
.008	0.20
.005	0.13
0.00030	0.0008
IN	MM
CONVERSION TABLE	

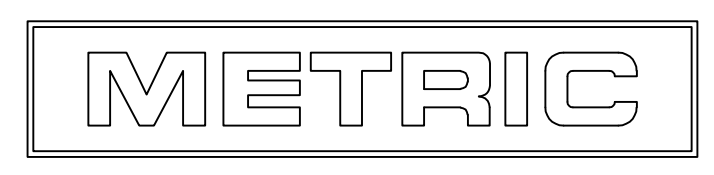


TYPICAL RECEPTACLE CAVITY SECTION REFERENCE



TYPICAL PLUG CAVITY SECTION REFERENCE

4	PRE-TIN	0.20 BRASS	1.27-2.79	24-18	350628-8
2	0.20 PH.BRZ.	1.27-2.79	24-18	350628-6	
2	0.20 BRASS	1.27-2.79	24-18	350628-5	
	PRE-TIN	0.20 PH.BRZ.	1.27-2.79	24-18	350628-2
	PRE-TIN	0.20 BRASS	1.27-2.79	24-18	350628-1
	FINISH	MATERIAL	INSULATION DIAMETER	WIRE RANGE	PART NO



THIS DRAWING IS A CONTROLLED DOCUMENT. DWN: K. SALMON 9-30-91
 CHK: P. SWING 9-30-91
 APVD: C. CASH 10-1-91

STE TE Connectivity

PRODUCT SPEC: .062 SOCKET COMMERCIAL PIN & SOCKET

APPLICATION SPEC: ---

SIZE: A1 CAGE CODE: 00779 DRAWING NO: 350628

REIGHT: ---

CUSTOMER DRAWING SCALE: 5:1 SHEET 1 OF 1 REV S1