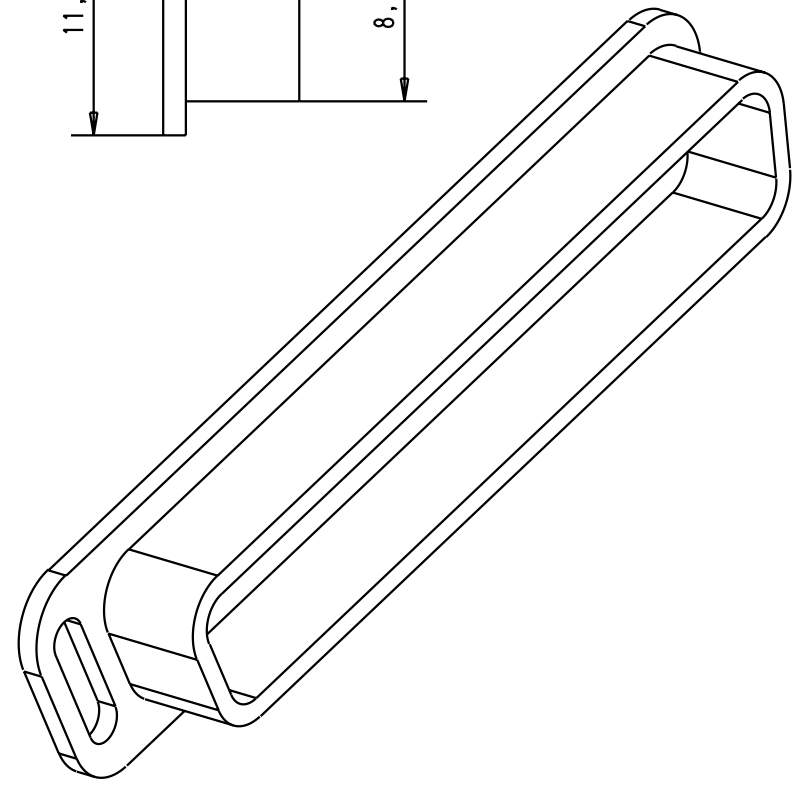
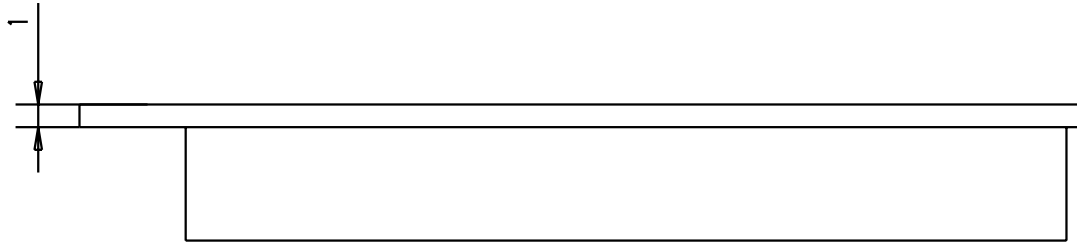
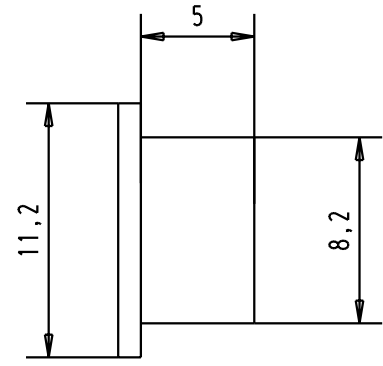
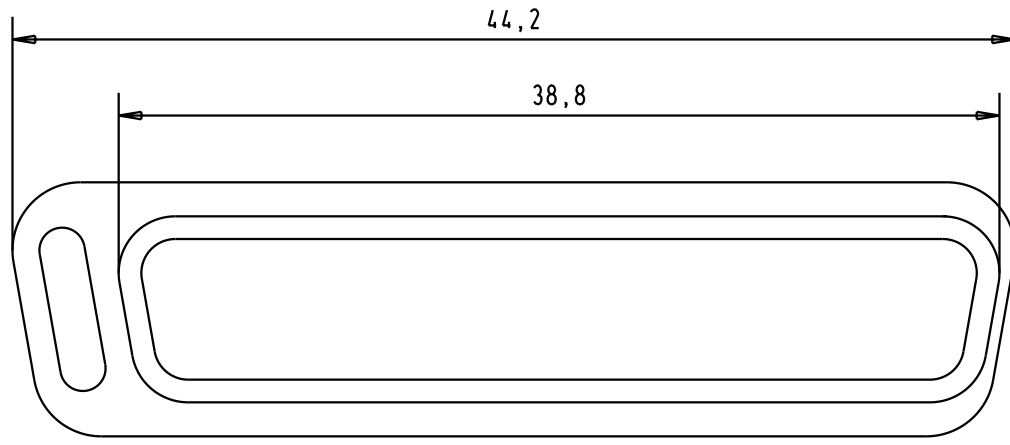


5 4 3 2 1



D

C

B

A

| | | | | | | | | | |
|----------------|--|--|--|--|--------------------------------------|--|--|---|--------------------------|
| | | | | | Dat. Name 09-APR-02 CV | | <p>All Dim. in mm Orig. Size DIN A 4</p> | D-Sub, Dust cap, thermoplastic black, for male connector 25 poles | Maßstab/ Scale 3:1 |
| | | | | | Insp. | | | | |
| | | | | | Stand. | | | | |
| 09 67 025 0611 | | | | | HARTING EURL F-95972 Paris | | | TB 09670250611 | Blatt / Page 1 / |
| Part number | | | | | Mod. Dat. Name 29768 09-APR-02 CV | | | | |
| | | | | | | | | | |