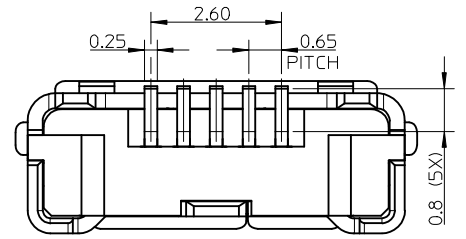
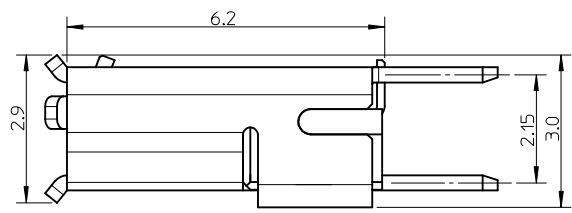
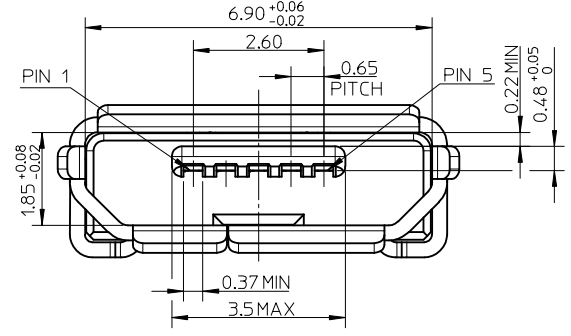


RECOMMENDED PCB LAYOUT (THICKNESS=1.6mm)  
GENERAL TOLERANCE: ±0.05



- NOTES:
- MATERIAL:  
HOUSING & COVER: HIGH TEMPERATURE THERMOPLASTIC, BLACK, UL94V-0;  
TERMINAL: COPPER ALLOY, THICKNESS: 0.15mm;  
SHELL: STAINLESS STEEL, THICKNESS: 0.30mm.
  - PLATING:  
TERMINAL: CONTACT AREA: GOLD FLASH OVER MINIMUM 0.75 MICRON Pd/Ni;  
SOLDER TAIL AREA: GOLD FLASH;  
UNDER PLATING: NICKEL 2.0 MICROMN MINIMUM.  
SHELL: MATTE TIN 1.27 MICRON MINIMUM;  
UNDER PLATING: NICKEL 1.27 MICRON MINIMUM.
  - TAIL COPLANARITY 0.08mm MAXIMUM.
  - PRODUCT SPECIFICATION: PS-47642-01.
  - PACKAGING SPECIFICATION: PK-105133-001.
  - COMPLIANT TO RoHS DIRECTIVE 2002/95/EC AND ELV 2000/53/EC.

105133-0002	1.70
105133-0001	2.30
PART NUMBER	DIM A

ADD PART NUMBER EC NO: SH2013-0001 DRWN:XOZHANG CHKD:XOZHANG APPR:AYIN	REV 2012/07/01 2012/07/01 2012/07/13	QUALITY SYMBOLS F <sub>A</sub> =0 F <sub>C</sub> =0 F <sub>P</sub> =0	GENERAL TOLERANCES (UNLESS SPECIFIED)		DIMENSION STYLE MM ONLY		SCALE 1:1	DESIGN UNITS METRIC	THIRD ANGLE PROJECTION		
				mm	INCH	DRAWN BY XJSONG	DATE 2009/09/16	TITLE MICRO USB B RECEPTACLE VERTICAL TYPE			
			4 PLACES	± ---	± ---	CHECKED BY XJSONG	DATE 2009/09/16	molex			
			3 PLACES	± ---	± ---	APPROVED BY RZHANG	DATE 2010/11/11				
ANGULAR ± 3 °			DRAFT WHERE APPLICABLE MUST REMAIN WITHIN DIMENSIONS		MATERIAL NO. SEE TABLE		DOCUMENT NO. SD-105133-001	SHEET NO. 1 OF 1			
THIS DRAWING CONTAINS INFORMATION THAT IS PROPRIETARY TO MOLEX INCORPORATED AND SHOULD NOT BE USED WITHOUT WRITTEN PERMISSION											