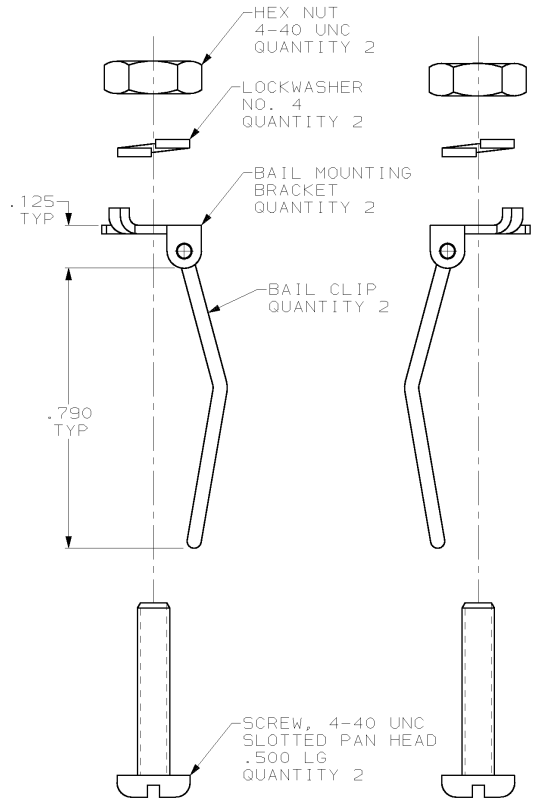
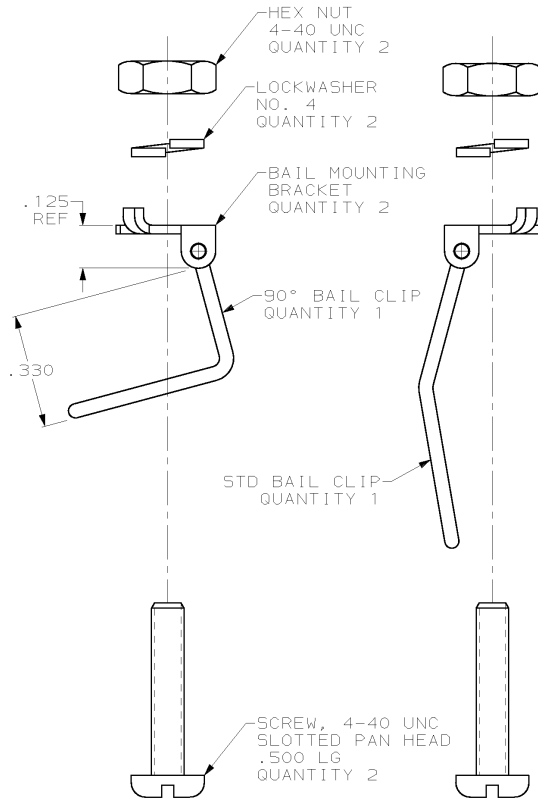


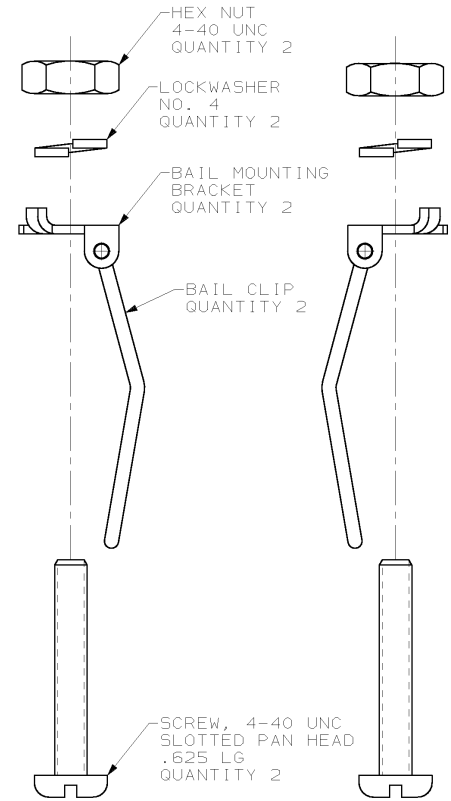
LOC	DIST	REVISIONS			
P	LTR	DESCRIPTION	DATE	OWN	APVD
AA	20	D	REVISED PER EC 0515-0213-03	26AUG03	DD RM



PN 552567-1



PN 552567-2



PN 552567-3

SCREW LENGTH	90° BAIL CLIP	STD BAIL CLIP	PART NUMBER
.625	-	2	552567-3
.500	1	1	552567-2
.500	-	2	552567-1

1. MATERIAL: BAIL CLIP - STAINLESS STEEL, PASSIVATED; ALL OTHERS PARTS ZINC OR CADMIUM PLATED STEEL.
2. PARTS SHIPPED LOOSE PIECE IN A BAG OR CONTAINER.

THIS DRAWING IS A CONTROLLED DOCUMENT.

DWG: DL DRUMMOND	26AUG2003	TYCO Electronics Harrisburg, PA 17105-3608
CHK: RP McCRAW	26AUG2003	
APVD: RP McCRAW	26AUG2003	
NAME: RP McCRAW		
DIMENSIONS: INCHES	TOLERANCES UNLESS OTHERWISE SPECIFIED:	PRODUCT SPEC
0 PLC ±.0005	1 PLC ±.0005	APPLICATION SPEC
2 PLC ±.0005	3 PLC ±.0005	WEIGHT
4 PLC ±.0005	5 PLC ±.0005	CUSTOMER DRAWING
6 PLC ±.0005	ANGLES ±.0005	SCALE: 4:1
MATERIAL	FINISH	SIZE: A200779
		CASE CODE (DRAWING NO): 552567
		SHEET 1 OF 1
		REV D

552567