

NOTE

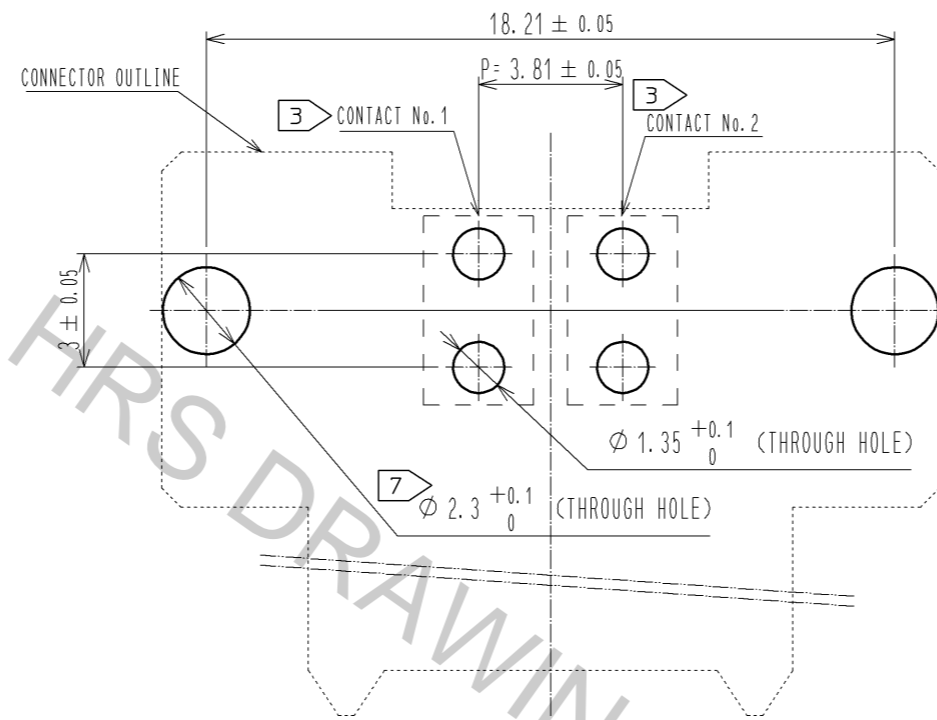
- 1 THIS PRODUCT IS PACKAGED IN TRAY. (28pcs/TRAY)
- 2 BLEMISH AND HIT MARK CAN BE OCCURED THROUGH OUT THE MANUFACTURING PROCESS WHICH DOESN'T AFFECT QUALITY LEVEL. ALSO, BLACK SPOT COULD BE OBSERVED ON THE SURFACE OF HOUSING.
- 3 FOR THE CONTACT NO., ADJACENT TWO PAIRS OF LEADS PLACED BACK-TO-BACK (4 LEADS IN TOTAL) COMPOSE ONE LINE.
- 4 MISALIGNMENT ABSORBING RANGE: ± 0.3mm max.
- 5 THE DIMENSION IN PARENTHESES ARE FOR REFERENCES.
- 6 LOT NO. IS INDICATED AT EITHER ONE OF THE POSITION AS SHOWN.
- 7 PAY ATTENTION TO THE RECOMMENDED PCB THICKNESS AND FINISHED THROUGH-HOLE DIMENSIONS. LOW RETENTION FORCE TO PCB COULD INDUCE ANGLED MOUNTING DUE TO THE UNBALANCED CENTER OF THE CONNECTOR.

NO.	MATERIAL	FINISH	REMARKS	NO.	MATERIAL	FINISH	REMARKS
2	COPPER ALLOY	CONTACT AREA:GOLD-PLATING 0.1 μm LEAD AREA:TIN-PLATING 1.0 μm UNDER PLATING:NICKEL 1.0 μm		3	COPPER ALLOY	CONTACT AREA:GOLD-PLATING 0.1 μm LEAD AREA:TIN-PLATING 1.0 μm UNDER PLATING:NICKEL 1.0 μm	
1	POLYAMIDE	BLACK UL94V-0		4	PHOSPHOR BRONZE	TIN-PLATING 3.0 μm UNDER PLATING:NICKEL 1.0 μm	
				5	POLYSTYRENE		

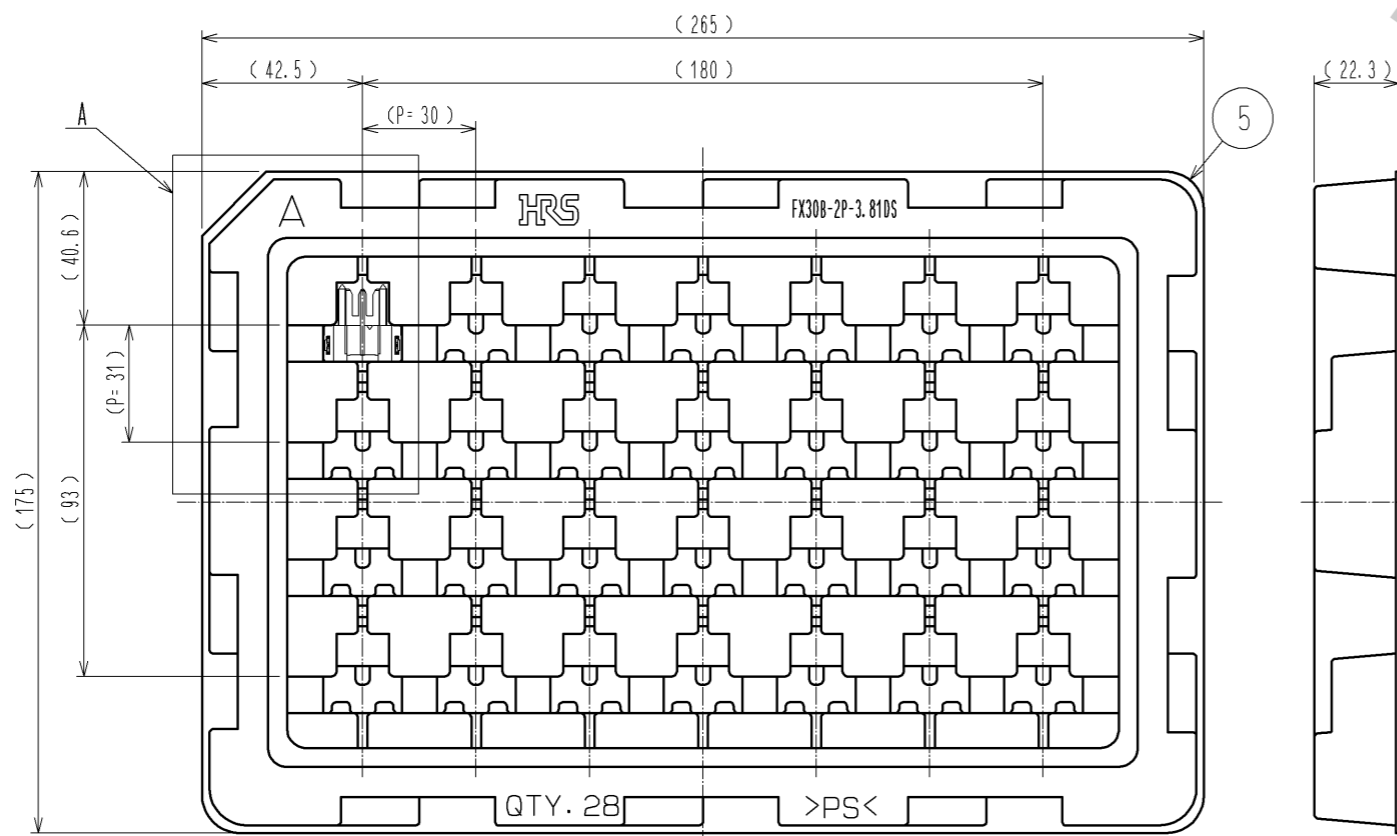
UNITS	SCALE	COUNT	DESCRIPTION OF REVISIONS	DESIGNED	CHECKED	DATE
mm	2 : 1	△	APPROVED : HS. OKAWA 13.03.07 CHECED : KI. HIROKAWA 13.03.07 DESIGNED : DK. AIMOTO 13.03.07 DRAWN : DK. AIMOTO 13.03.07			

DRAWING NO.	PART NO.	CODE NO.
EDC3-347268-00	FX30B-2P-3.81DS	CL570-3400-7-00

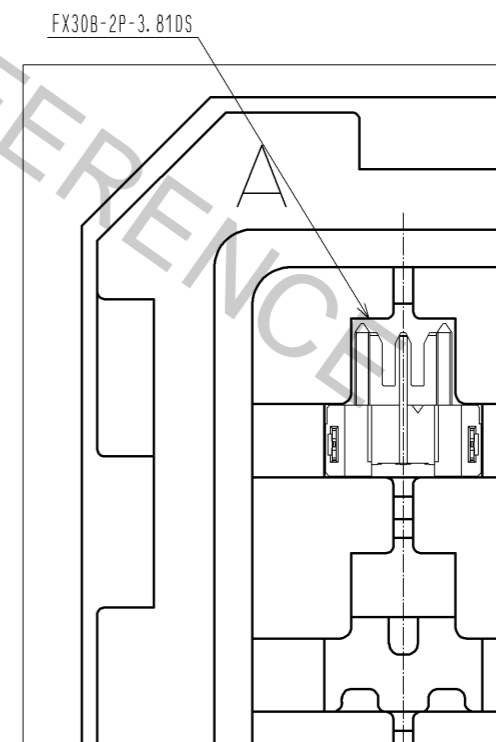
RECOMMENDED HOLE PATTERN DIMENSION OF PCB(5:1)
(CONNECTOR MOUNTING SIDE, PCB THICKNESS: t=1.6mm) 7



1 DRAWING FOR PACKAGING(1:2)



A(1:1)



HRS	DRAWING NO.	EDC3-347268-00	2 / 2
	PART NO.	FX30B-2P-3.81DS	
	CODE NO.	CL570-3400-7-00	