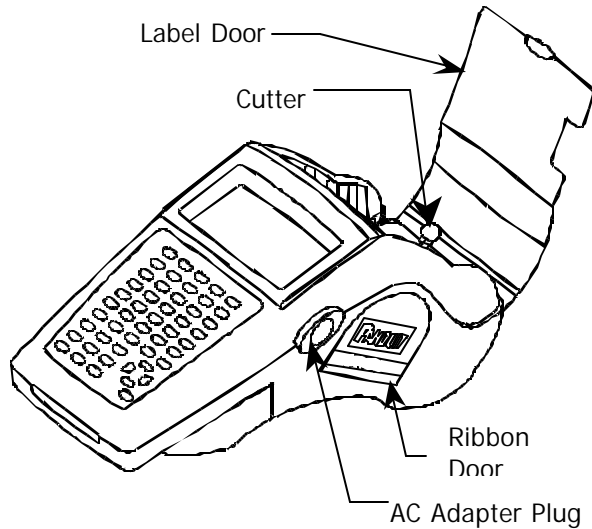
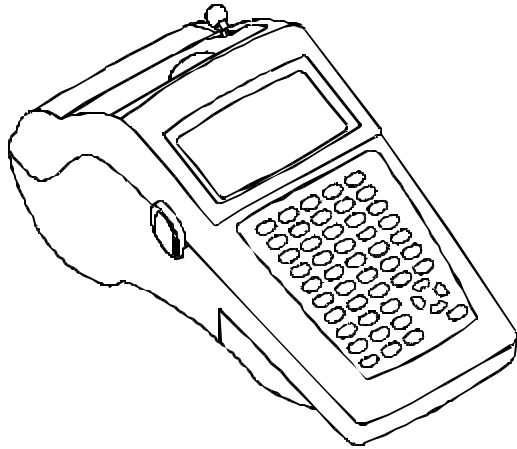




Viper™ LS6

Quick Start Card – LS6-QS-A



Key Pad Functions

- Shift Button (Access Secondary Functions)
- Shift + Shift (Access Alternate Functions)
- Turn Power On
- Turn Power Off
- Forward Feed
- Reverse Feed
- [ANY ALPHA KEY] - Insert Symbols on Keypad
- [ANY ALPHA KEY] - Change Text Case
- Move Cursor Up One Line
- Increase Text Size
- Move Cursor To Home Position
- Move Cursor Down One Line
- Decrease Text Size
- Move Cursor To End Position
- Move Cursor Right One Space
- Go Forward To Next Page
- Move Cursor To End Of Current Line
- Move Cursor Left One Space
- Go Back To Previous Page
- Move Cursor To Beginning Of Current Line
- Insert A Space
- Activate Or Deactivate Caps Lock
- Setup Printer Or Escape From Current Menu
- Delete All Items On A Label and Return To Default Formats
- Add a Tool

- Toggle Between Left, Center, and Right Justify
- Activate Or Deactivate Fit Checking

- Delete Single Characters or Tools
- Delete All Items On The Current Page But Maintain Label Formats
- Delete All Items On All Pages But Maintain Label Formats

- Print Label
- Print Multiple Copies
- Print Page Selection

- Move Cursor to Next Line Or Accept Changes and Return to Home Screen Or Edit Selected Tool
- Rotate Entire Label Clockwise From 0 To 90 Degrees
- Read Label Mandrel

LS6 Battery

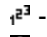
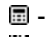


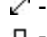
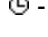
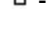
A 12 volt NiMH (Nickel-Metal Hydride) battery comes with the Viper™ LS6 printer **PARTIALLY CHARGED** with a recommended **15 HOURS OF CHARGING PRIOR TO USE**. Charging of the Viper™ LS6 battery should be accomplished ONLY with Panduit Model LS6 AC Adapter/Battery Chargers (Part No. LS6-ACS, supplied with printer). The user MUST manually activate the battery charger with the LS6 powered on in order to start the charging process.


The Viper™ LS6 Printer will check the battery charge when the printer is powered on. This may result in prompting the user to charge the battery. The user can also charge the battery by accessing the battery utility in the Setup Menu. The battery status bar indicates remaining charge.


LS6 Operating System

The **VIPER™** LS6 Operating System is designed for simple, customized label creation. The LS6 home screen is also the text editor. Text is created and printed directly from the home screen.


The LS6 has a tool menu with the following tools:

-  - Serialization Tool
-  - Data Tool
-  - Symbol Tool
-  - Barcode Tool
-  - Line Tool
-  - Date/Time Tool
-  - Box Tool

To access the tool menu, press .



To select a tool from the tool menu, press .

The setup menu includes settings for Date, Time, Heat, Contrast, Language, Units, Label Feed, and Bar Code default.

To access the setup menu from the home screen, press .

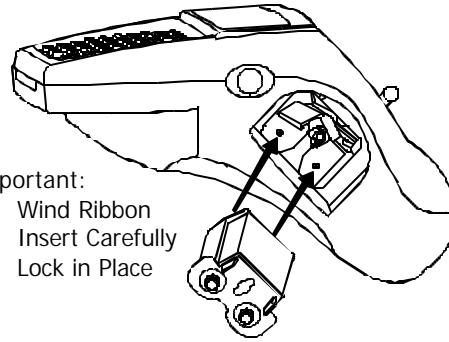
Label Loading

Each roll of labels or tape used in the **VIPER™** LS6 is uniquely identified by the mandrel holding the labels. This allows the operating system to set the printer for optimum usage of each label. Also, the operating system keeps track of the remaining labels on each roll. Use the following steps along with the directions on the label door to load each label roll.

1. Ensure that the printer is in the OFF position. Plug the mandrel into the socket, as shown on label door directions, until it is firmly seated.
2. **IMPORTANT: Width Guide must be adjusted to label width prior to inserting labels or label recognition failure may result.**
3. Insert end of label into the label guide path (see yellow arrows). This may require positioning the label width guide to the proper width.
4. Labels should be inserted until resistance is met (requires ribbon knob to be in locked position).
5. Turn the printer ON by pressing . Press the  key to position the label for printing.

Ribbon Loading & Selection

Follow Directions on Ribbon Door



Important:



- Wind Ribbon
- Insert Carefully
- Lock in Place

Label Material	Ribbon Recommended
Vinyl, Self-Laminating	LS6-RWBLK or LS6-RHBLK
Heat Shrink	LS6-RWBLK or LS6-RHBLK
Vinyl Tape, White	LS6-RRBLK
Vinyl Tape, Colored	LS6-RRBLK or LS6-RRWHT
Vinyl Cloth	LS6-RWBLK or LS6-RHBLK
Polyolefin	LS6-RRBLK
Polyester, Clear	LS6-RRBLK or LS6-RRWHT
Polyester, White	LS6-RRBLK
Non-Adhesive Polyester	LS6-RRBLK
Paper	NONE

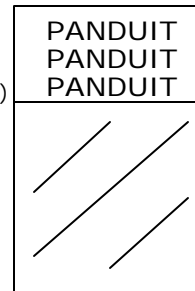
LS6-RWBLK – Black Wax
LS6-RRBLK – Black Resin

LS6-RRWHT – White Resin
LS6-RHBLK – Black Hybrid

TEXT on Self Laminating Labels








1. Load Black Wax Ribbon [LS6-RWBLK] or Black Hybrid Ribbon [LS6-RHBLK] and Self Laminating Labels.
2. Press  to Power ON.
3. Type "PANDUIT" on Line 1 of Home Screen.
4. Press .
5. Cut

Example (Using S100X150FA6)

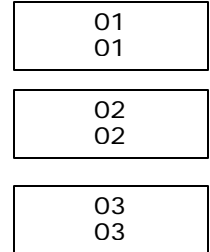


SERIALIZATION on Heat Shrink Markers

Note: Serialization is available for use on all label stock.










1. Load Black Wax Ribbon [LS6-RWBLK] or Black Hybrid Ribbon [LS6-RHBLK] and Heat Shrink Markers.
2. Press   to Power Off.
3. Press  to Power on and Reset Printer.
4. Press  and Select **1**  for SERIALIZATION.
5. Use "01" for Start Value.
6. Use "03" for End Value.
7. Use "1" for Increment.
8. Press  to accept Serialization Settings.
9. Press .
10. Cut

Example (Using THSW-7)



SYMBOL and TEXT on a Continuous Tape

2" Orange Vinyl Tape – Making an ARC FLASH Sign w/ Symbol

1. Load Black Resin Ribbon [LS6-RRBLK] and Labels.
 2. Press   to Power off.
 3. Press  to Power on and Reset Printer.
 4. Type "ARC FLASH" on Line 1 of the Home Screen.
 5. Press  then choose Symbol .
 6. Select Symbol No. 40 by using  or .
 7. Press .
 8. Press .
- (Note: Large text and symbols will take longer to print)

Example (Using TCT-10V)

