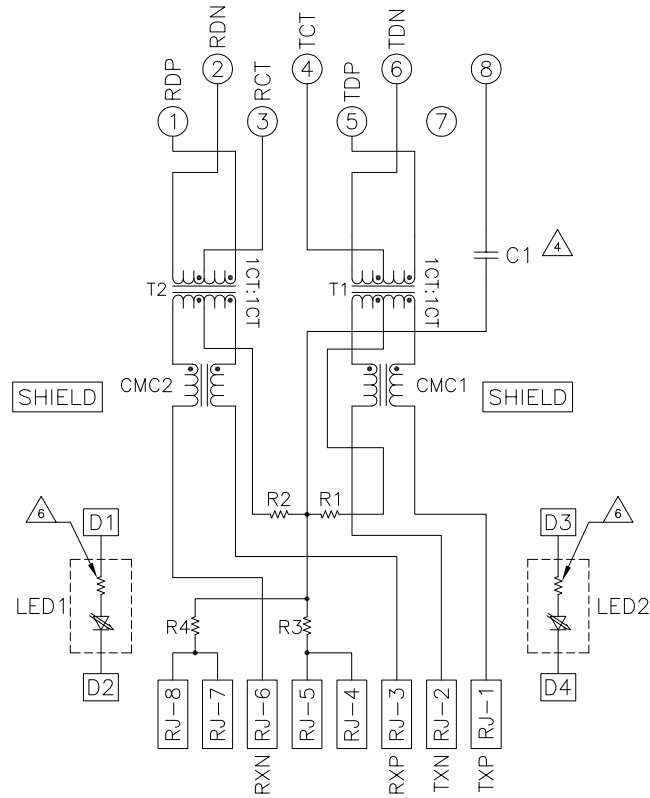
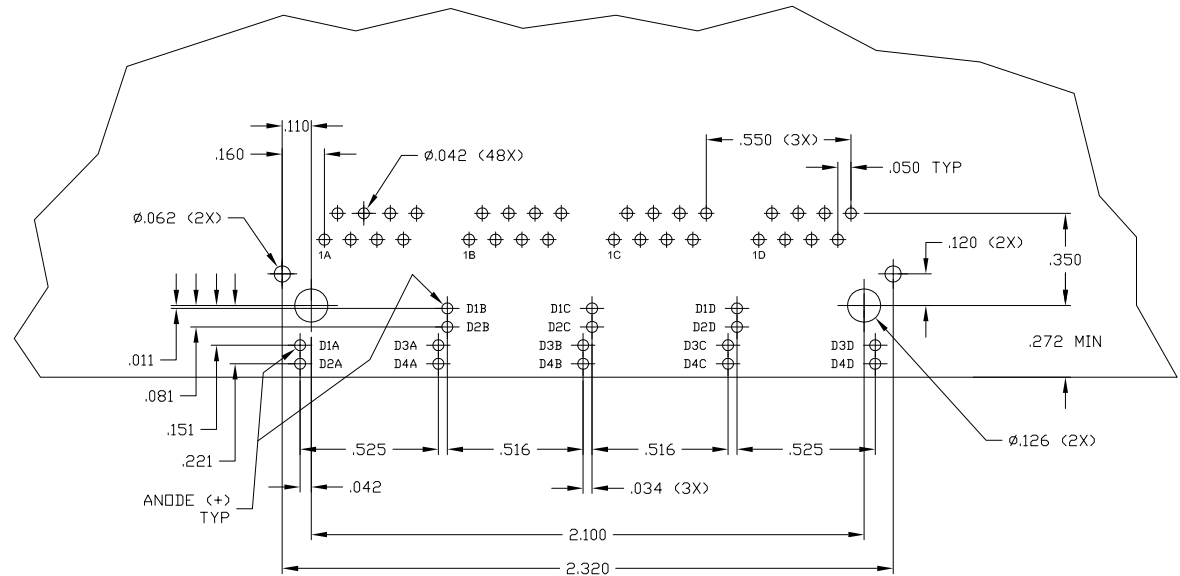
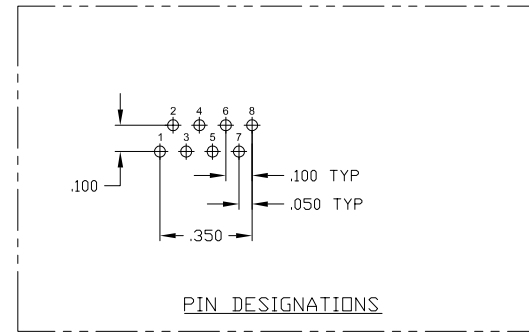


LOC	QTY	REV	DESCRIPTION	DATE	BY	APP'D
AA	22	-	SEE SHEET 1	-	-	-

726 SERIES MAGNETIC CIRCUIT



C1 = 1000pF, 2kV DECOUPLING CAPACITOR
 R1-R4 = 75 OHMS, 1/16W, 5% RESISTORS



SUGGESTED PCB LAYOUT
 (Component Side)

THIS DRAWING IS A CONTROLLED DOCUMENT.		REV: 1 - VARELA - 10MAR2003	TE Connectivity
DRAWN BY: D. FAROLE		CHK: D. FAROLE - 10MAR2003	
DIMENSIONS: INCHES		APP'D: D. FAROLE - 10MAR2003	1x4 MA645(TW) MODULAR JACK, 7N2 SCHEMATIC, 26 SERIES CIRCUIT, OPTIONAL DECOUPLING CAPACITOR, SHIELDED, WITH RESISTOR LEADS
0 P.L.C. ± .005 1 P.L.C. ± .010 2 P.L.C. ± .010 3 P.L.C. ± .005 4 P.L.C. ± .005 ANGLES ± .005		NAME: 108-2100	
MATERIAL: -		SIZE: A1	
FINISH: -		DWG NO: 00779	
CUSTOMER DRAWING		SCALE: 4:1	SHEET 2 of 2 REV D